

## MODUL switch instruction manual



**1M button**

(TM11xx)

**2M button**

(TM12xx)

**1M button indicator**

(TM11xxIN)

**2M button indicator**

(TM12xxIN)

**Switch**

(SMxx)

**Mounting frame**

(NMxx)

**Cover plate**

(OLxx, OSxx, OPxx)

### User instructions

Before installation, read the instructions carefully and check that the product is not damaged. This avoids the possibility of a fault that could cause personal injury or damage to the electrical wiring. The instructions are intended for all users; show this document to a qualified person before installing the switches.

### Safety instructions



Please read the instructions carefully and follow the safety instructions. In the event of not observing the safety and operating instructions, we do not accept any liability for damage to products and persons. Due to the risk of electric shock, only qualified personnel may carry out the installation!



Keep the product out of the reach of children or unauthorized persons. Do not disassemble the product as this will void the warranty. If not properly installed, the product may be permanently damaged. The product is intended for indoor use and in covered outdoor areas in the temperature range between -20 °C and +45 °C. It should not be exposed to moisture, rain or water. The product is used for an alternating current of up to 250 V and the current should not exceed the values indicated on the product. Failure to comply with safety regulations may result in electric shock!

### Product description

The switches are used to switch the electrical circuits on and off for 16 A or 20 A currents (indicated on the product). They can be used for lighting, signalization, control of blinds motors and other purposes where electrical circuit assembly is required. The switches are suitable for mounting in wall boxes, CUBO surface mounted boxes, MA trunking systems, MO distribution boxes and MT floor boxes.

### Technical information

Rated current and type: indicated on the product

Rated voltage: 250 V~

### Manufacturer information

TEM Čatež d.d.

Čatež 13

8212 Velika Loka, Slovenia

Tel. +386 (0)7 3489 900

Mail: [info@tem.si](mailto:info@tem.si)

Internet: [www.tem.si](http://www.tem.si)

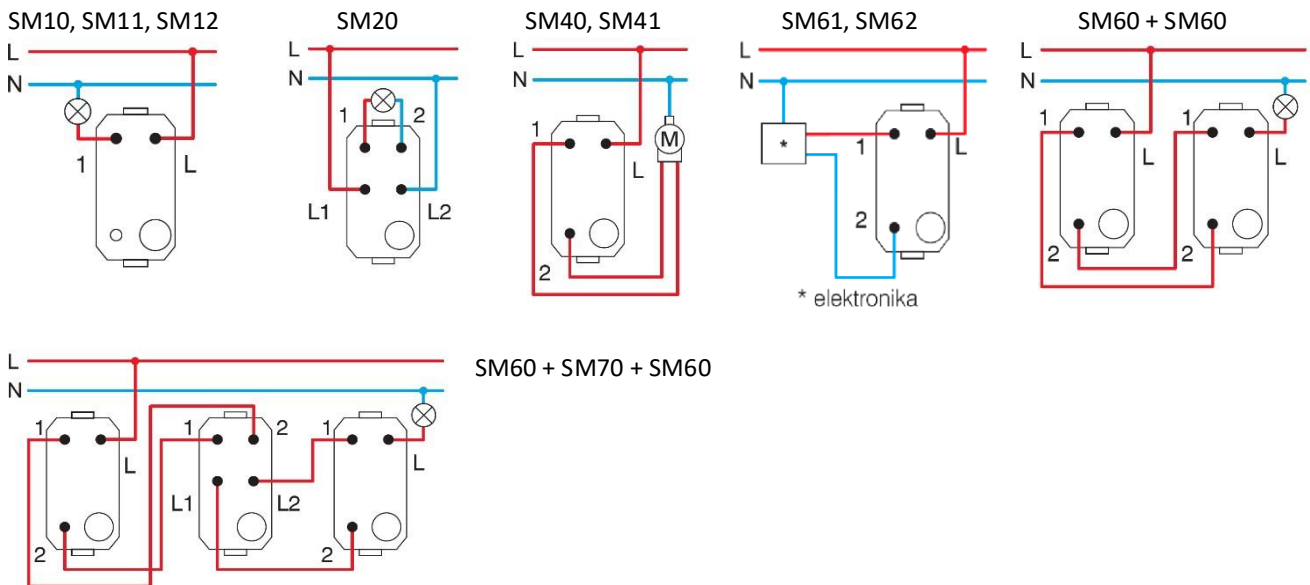
## Maintenance and cleaning

- The product requires no special maintenance. There are no serviceable components inside the product, so never open or disassemble the products.
- Do not use aggressive cleaning agents or chemical solutions as this may destroy the plastic parts.
- Never direct a water jet at the product.
- Use a dry cloth to clean visible parts.

## Installation instructions

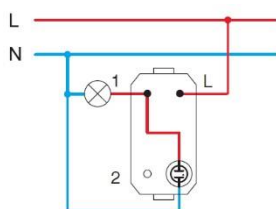
Hard wire or soft wire conductors of 1.5 mm<sup>2</sup> to 2.5 mm<sup>2</sup> are used for the electrical connection. The use of cable matrices is recommended for soft conductors. For installing the switch, it is necessary to use an appropriate mounting bracket, depending on the shape and size of the wall socket.

### a) Wiring diagrams

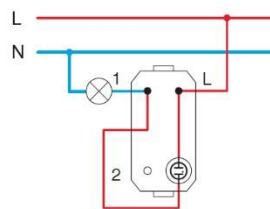


### b) Illumination wiring diagrams

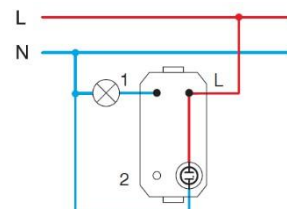
**Power-on indication**  
SM10, SM11, SM12

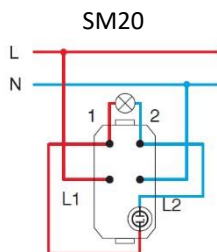
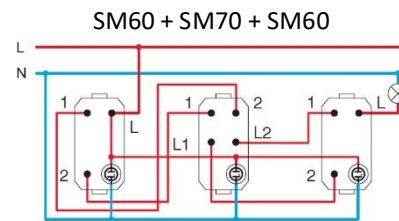
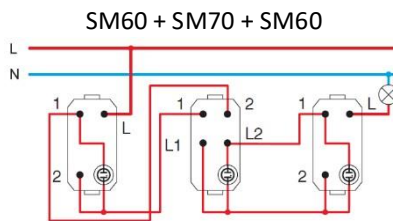
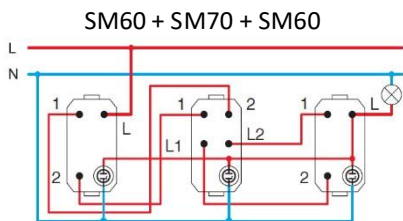
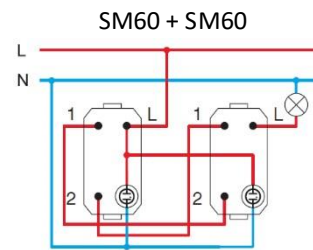
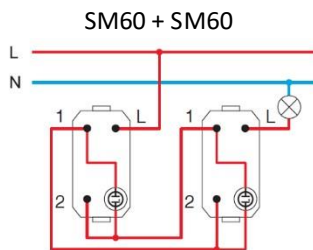
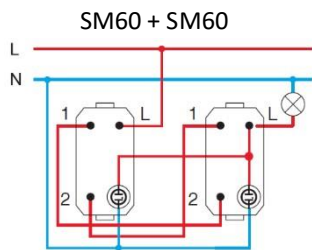


**Power off illumination \***  
SM10, SM11, SM12

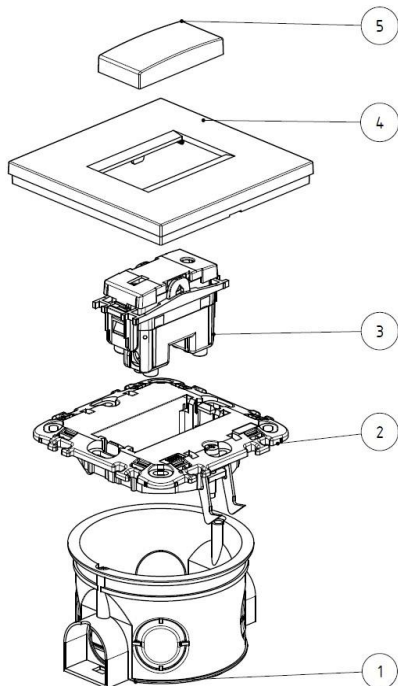
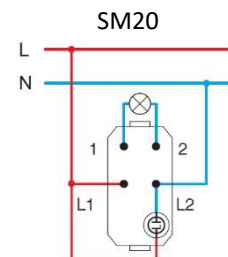


**Constant illumination**  
SM10, SM11, SM12





\*unsuitable for LED and CFL loads



- De-energize the system by switching off the fuse or main switch.
- Remove the insulation on the conductors 11 mm in length.
- Attach a suitable socket (2) to the mounting bracket (1).
- Connect the appropriate conductors to the switch terminals according to the wiring diagrams above. If you want to illuminate the switch (IAxx), connect it according to the illumination circuit.
- Use a suitable screwdriver (SLPH2) to tighten the screws.
- Slide the switch (3) into the bracket.
- If you have a separate button (5), press it onto the switch.
- In case you do not fill all the spaces on the bracket, use a blank module (TM21 or TM22) or use wide buttons (TM12).
- Attach the cover (4) to the bracket using gentle pressure.
- Connect the voltage and check the operation.

## Warranty

The manufacturer provides a warranty to the buyer for the properties and the fault-free operation of their products for a period of 5 (five) years from the date of purchase.

The manufacturer undertakes to remedy any defect in the product which would occur within the warranty period, at their own expense or by a qualified service technician, within a reasonable time, which shall not exceed 45 days from the receipt of the advertised product and the buyer's written notification of the error, or to deliver to the buyer a new product of the same type and at least of the same quality within the stated time.

The warranty applies to defects in product performance resulting from defects in the materials used and defects in the manufacturing process, provided that the product has been installed and used in accordance with the manufacturer's instructions.

The warranty is valid in the territory of the EU Member States.

The manufacturer's warranty does not apply in the following cases:

- use of the product in contravention of the manufacturer's instructions and in the event of non-compliance with the safety instructions;
- the use of the product for purposes other than those intended;
- incorrect installation of the product;
- mechanical damage and defects resulting from a fault of the manufacturer;
- injuries and defects caused by natural disasters (lightning, earthquake, fire, flood, etc.) or by accident;
- damage and malfunctions resulting from an unsuitable power line (e.g. electric shock, etc.); - repairs or tampering with the product by a person not authorized by the manufacturer; - any modifications to the product.

The guarantee is valid only on the condition that the original invoice is attached.

## Instructions for disposal after use



### Compliant with RoHS 2011/65/EU

The product does NOT contain substances restricted by the RoHS in excess of maximum permissible concentrations. End-of-life products contain recyclable materials and are not household waste. Dispose of the product at the end of its service life in accordance with applicable legal requirements.